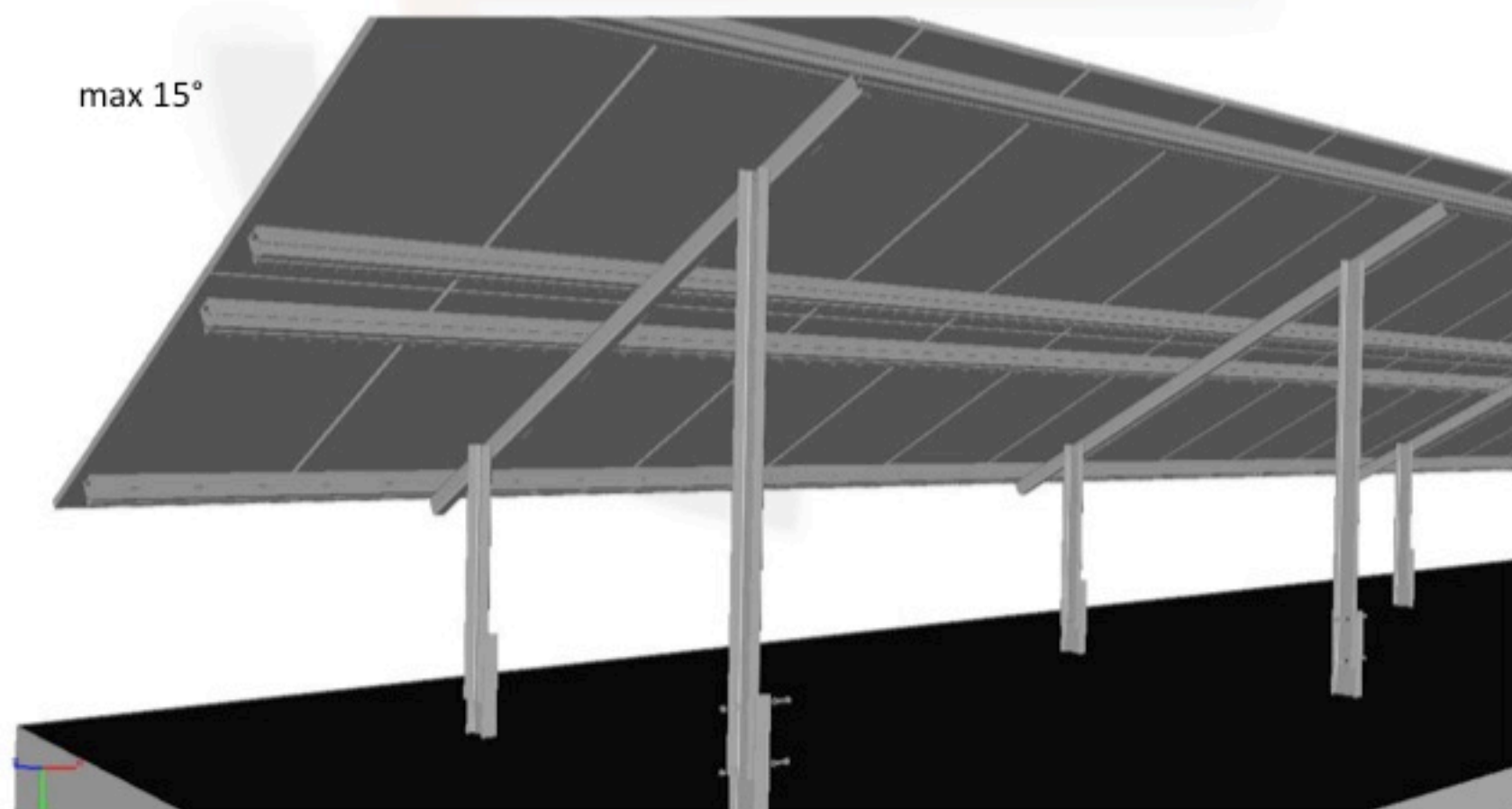
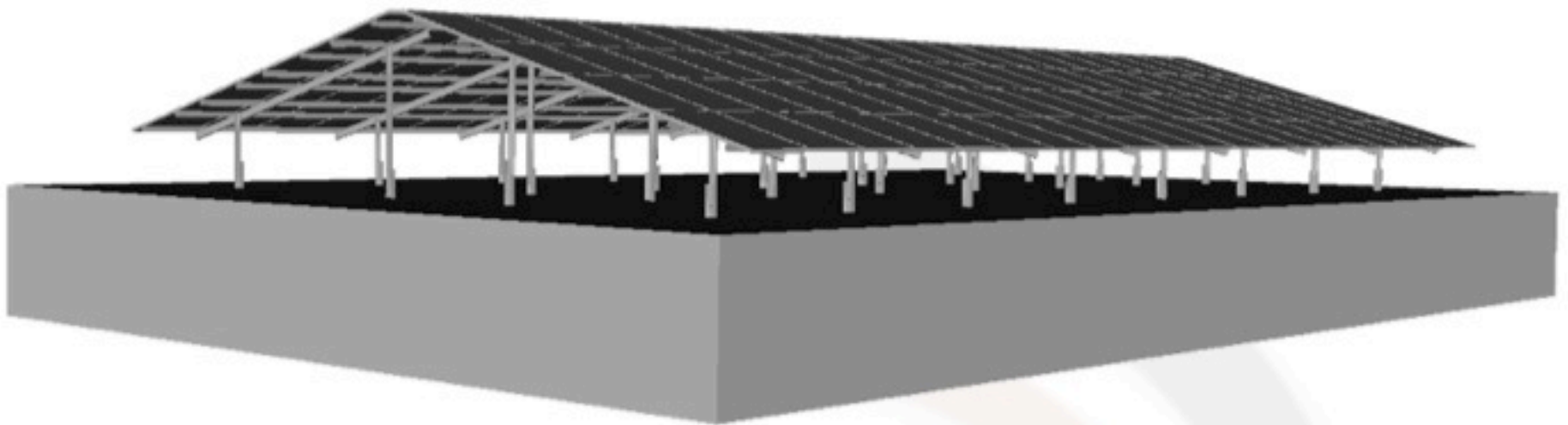


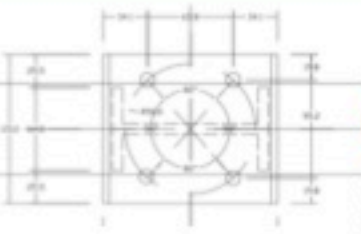
EASY TRACK V2 DUO EAST/WEST MOUNTING SYSTEM



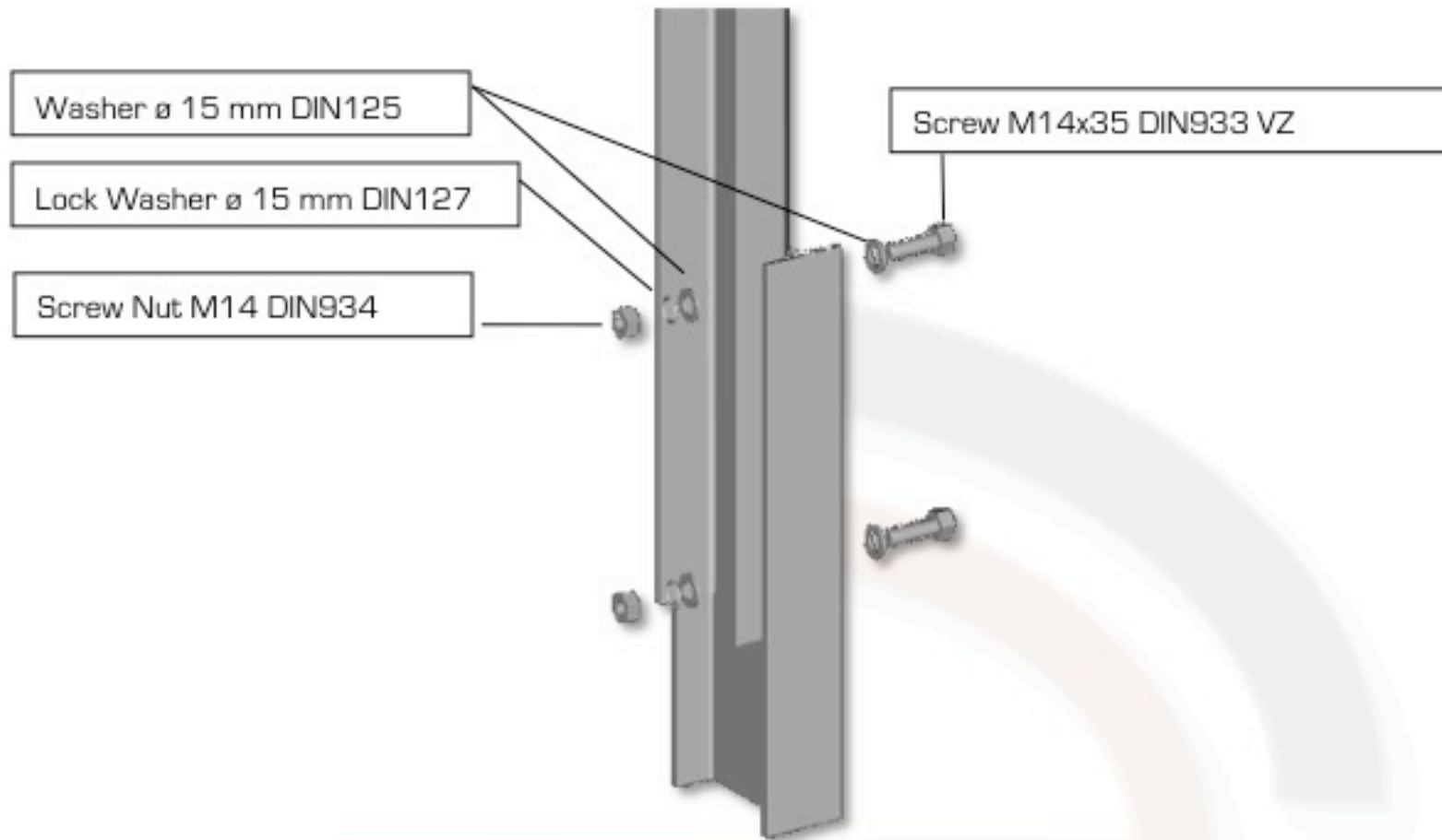
Mounting System for Solar Power Plant



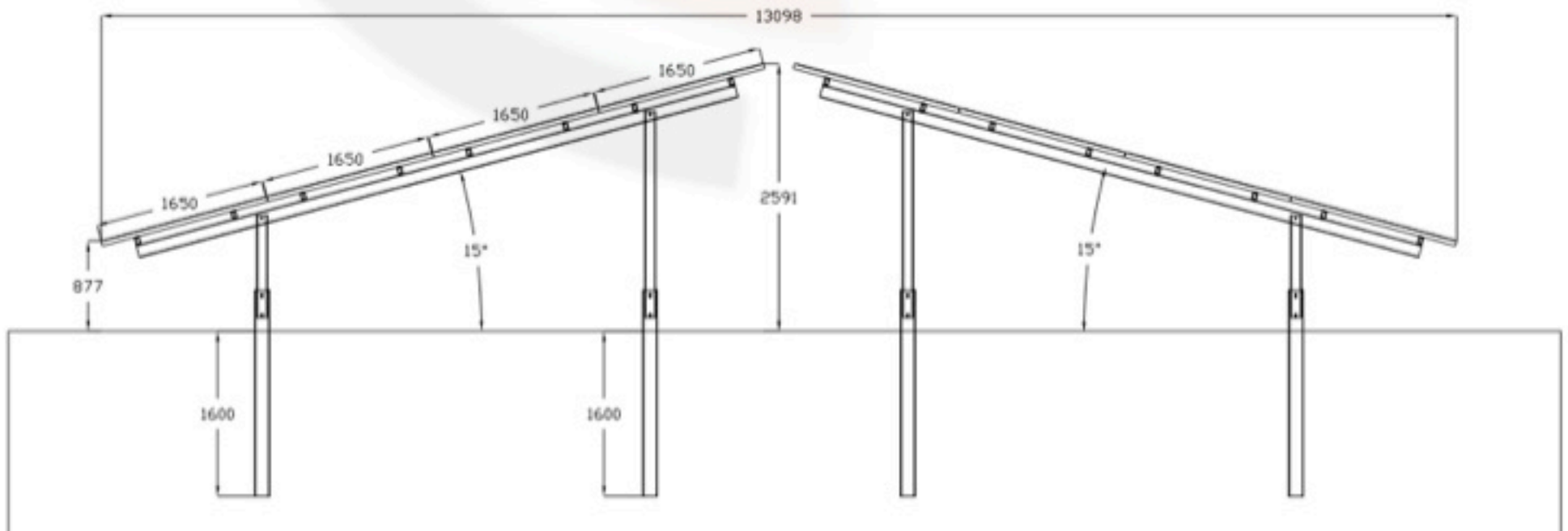
- Supporting frame and grounding pile: S235 galvanized
- Cross rail: aluminium EN AW 6063 T66
- Fitting material in connection with galvanized steel: galvanized 8.8 quality
- Screws in connection with aluminium: stainless steel A-70 quality



EASY TRACK VZ DUO EAST/WEST MOUNTING SYSTEM



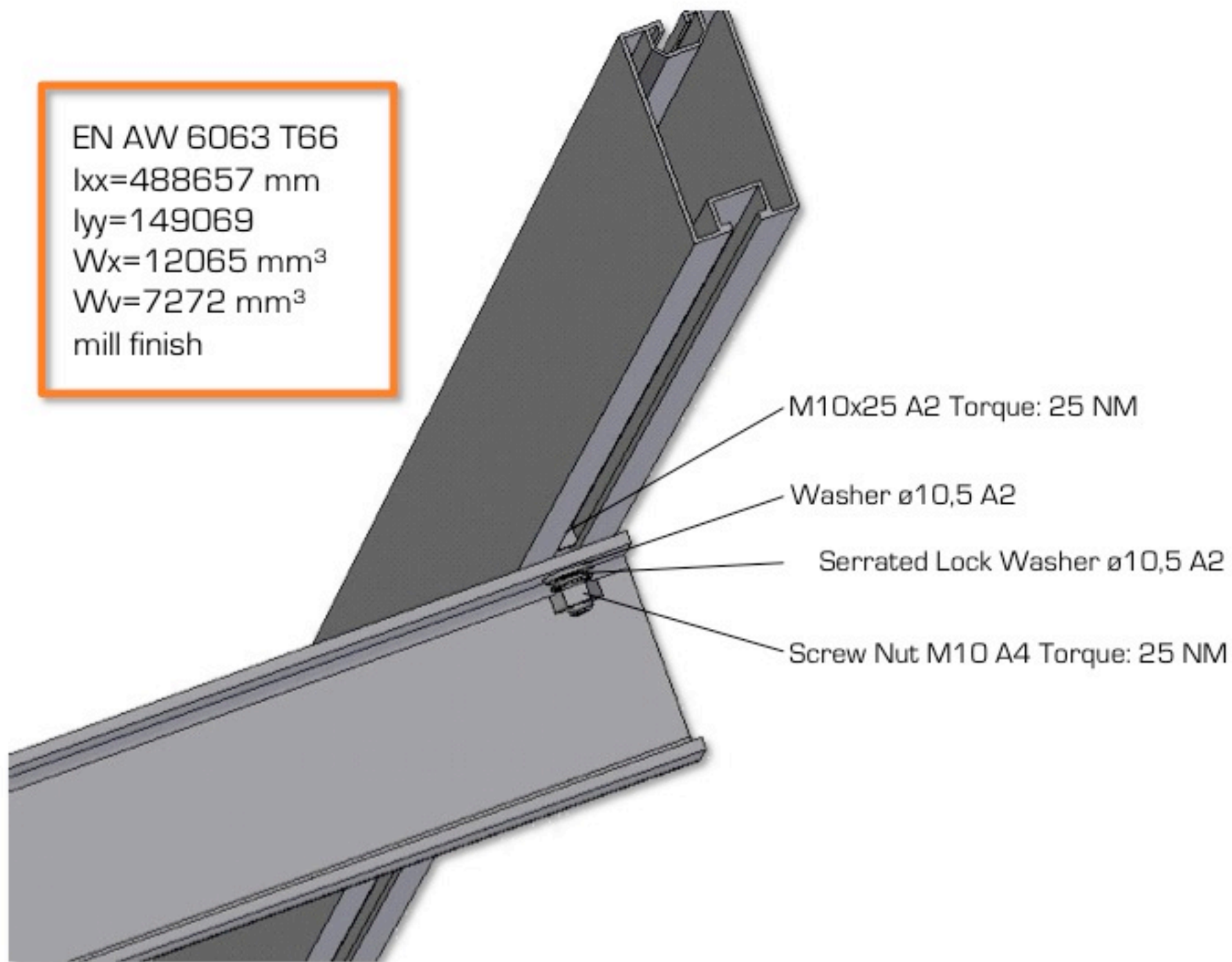
Side view desk for Solar plant

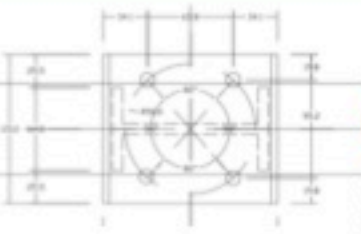




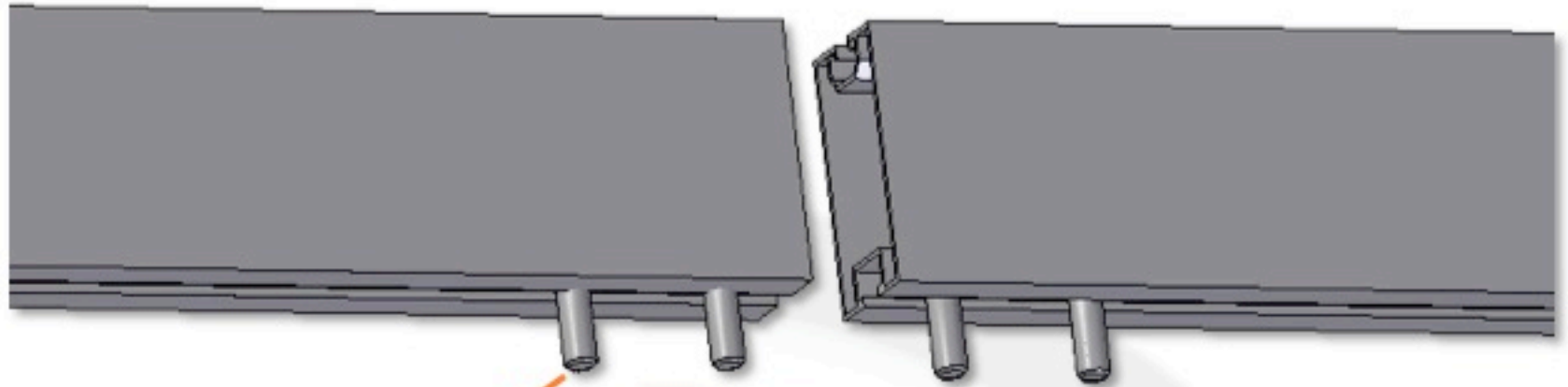
EASY TRACK V2 DUO EAST/WEST MOUNTING SYSTEM

EN AW 6063 T66
l_x=488657 mm
l_y=149069
W_x=12065 mm³
W_v=7272 mm³
mill finish





EASY TRACK V2 DUO EAST/WEST MOUNTING SYSTEM



Schraube / Screw M10x25 V2A



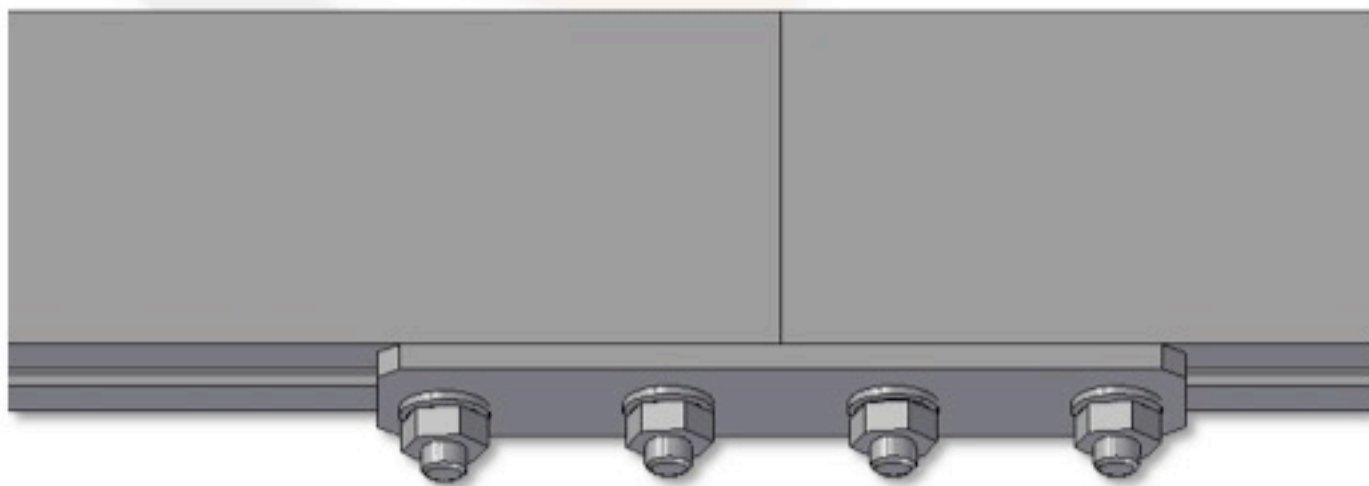
U-Scheibe / Washer $\varnothing 10,5\text{mm}$ V2A

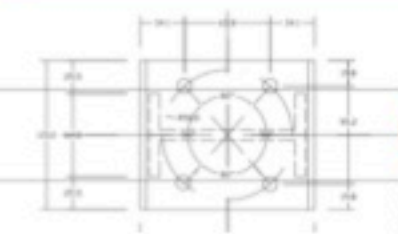
Sicherungsring / Serrated Lock

Washer $\varnothing 10,5\text{mm}$ V2A



Mutter / Screw Nut M10 V4A





EASY TRACK V2 DUO EAST/WEST MOUNTING SYSTEM



Mounting System for Solar Power Plant

| EASY TRACK | |
|---|--|
| Location of installation | the soil |
| Wind resistance | according to the conditions of the region and the individualized structural analysis |
| Snow load | according to the conditions of the region and the individualized structural analysis |
| Placement of the modules | in a row with the possibility of standing or lying |
| Arrangement of the modules/slope of incline/ Distance of the lower module edge from the ground | flexible |
| Spacing of the supports | according to the structural requirements |
| Norms | DIN 1055 - the influence on the carrier system EUROCODE 9 part 1.1. - the lay-out and construction of the aluminum carrier systems |
| Material | the construction profile and module clamps – extruded aluminum EN AW-6063 T66, and other parts from the galvanized steel. |
| Color | mill finish |
| Protection against corrosion | all parts have a zinc layer of at minimum 80µm in thickness according to the DIN/EN ISO 1464/14712 |
| Warranty | Two-year warranty and five-year guarantee for the product's characteristics |

